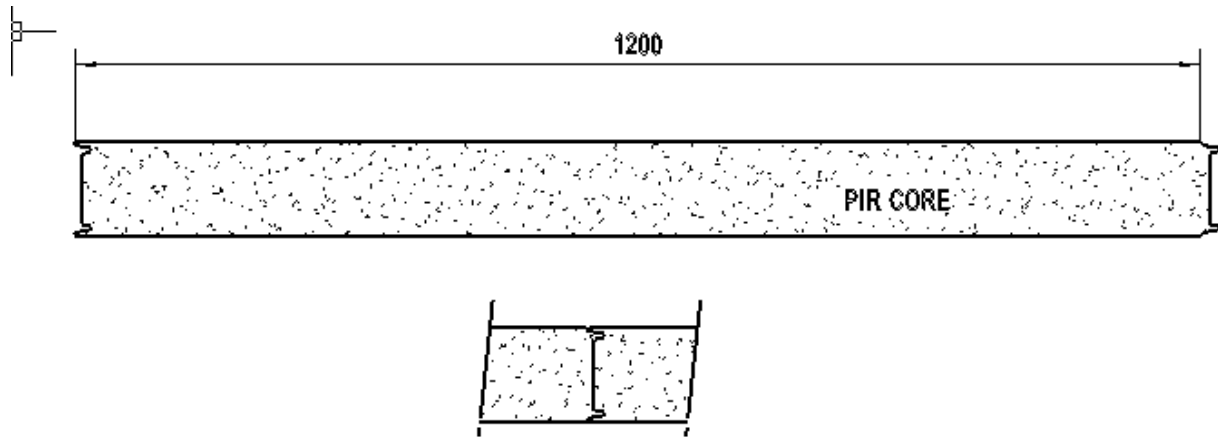
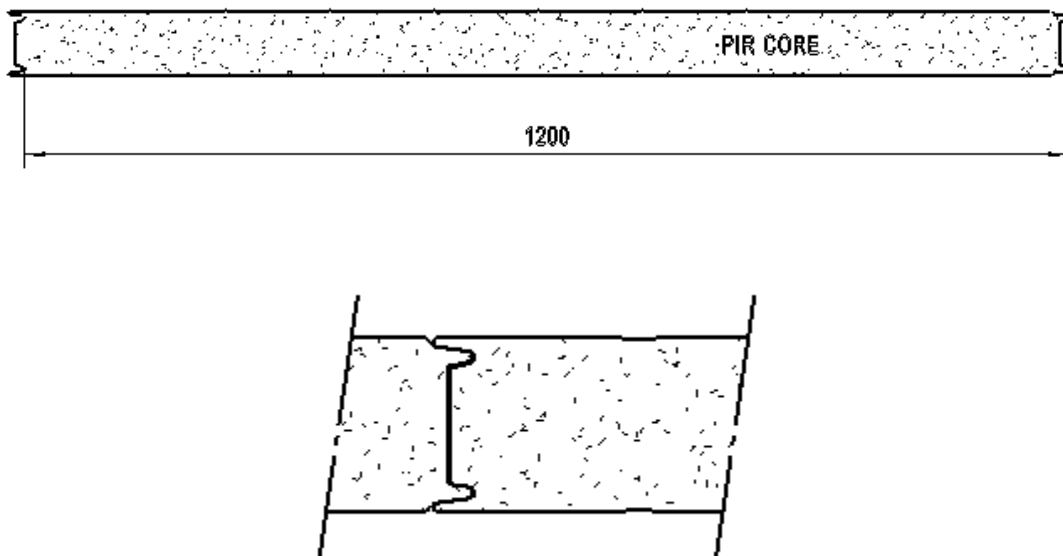


Specification for PIR Insulated Panel

PIR Flat Panel



PIR Ribbed Panel



PIR Manufacture our own PIR Z Lock Panels.

PIR Z Lock Panels come in sizes:75mm and 100mm.

Our panels are used for anything from Cool Rooms, Freezer Rooms, Heat Rooms and Portable Buildings. We can produce to most lengths you require but our width is 1200 wide only.

PIR Core:

Compressive Strength on 10% deformation is 150KPA.

PIR Grade:

45KG Per cubic.

Pre-coated Steel:

The size of the steel is 0.6mm Galvanised Para coated steel.

The colour the panel comes in is called Grey White, it is only colour this comes in.

Span Data:

Internal wall and ceiling on 0.5 KPA

75mm	4.9
100mm	6.9

External 0.75 KPA

75mm	4.9
100mm	5.6

External 1.0 KPA

75mm	4.4
100mm	5.0

PIR panels as per New Zealand climate thickness required for Chillers and Freezer

We would prefer 75mm walls for the room for process room and other rooms till 12 C Temperatures.

Any rooms from 12 to -2 C we prefer 100mm thick panels.

Fixing to PIR Panels.

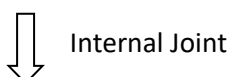
Panel joint detail section view

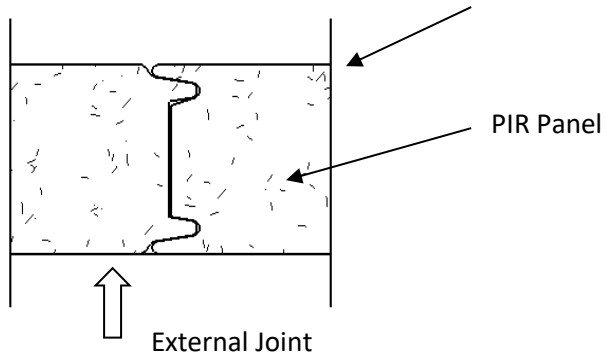
Wall to wall joint detail plan view

Point with firepro sealant

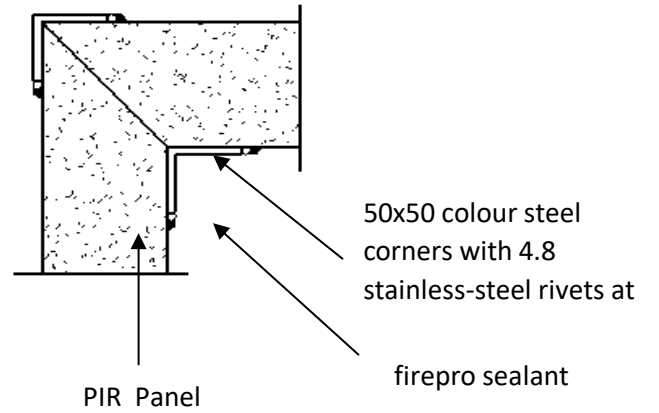
Seal with firepro sealant when external

50x50 colour steel corners with 4.8 stainless-steel rivets at 250mm



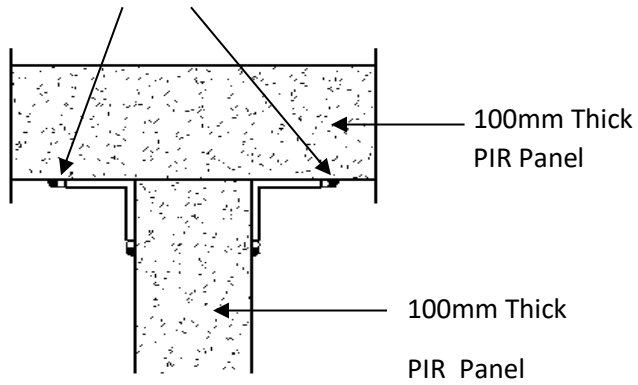


Point with firepro sealant



Ceiling fixing detail

50x50 colour steel corners with 4.8 stainless-steel rivets at 250mm



Wall base fixing detail

